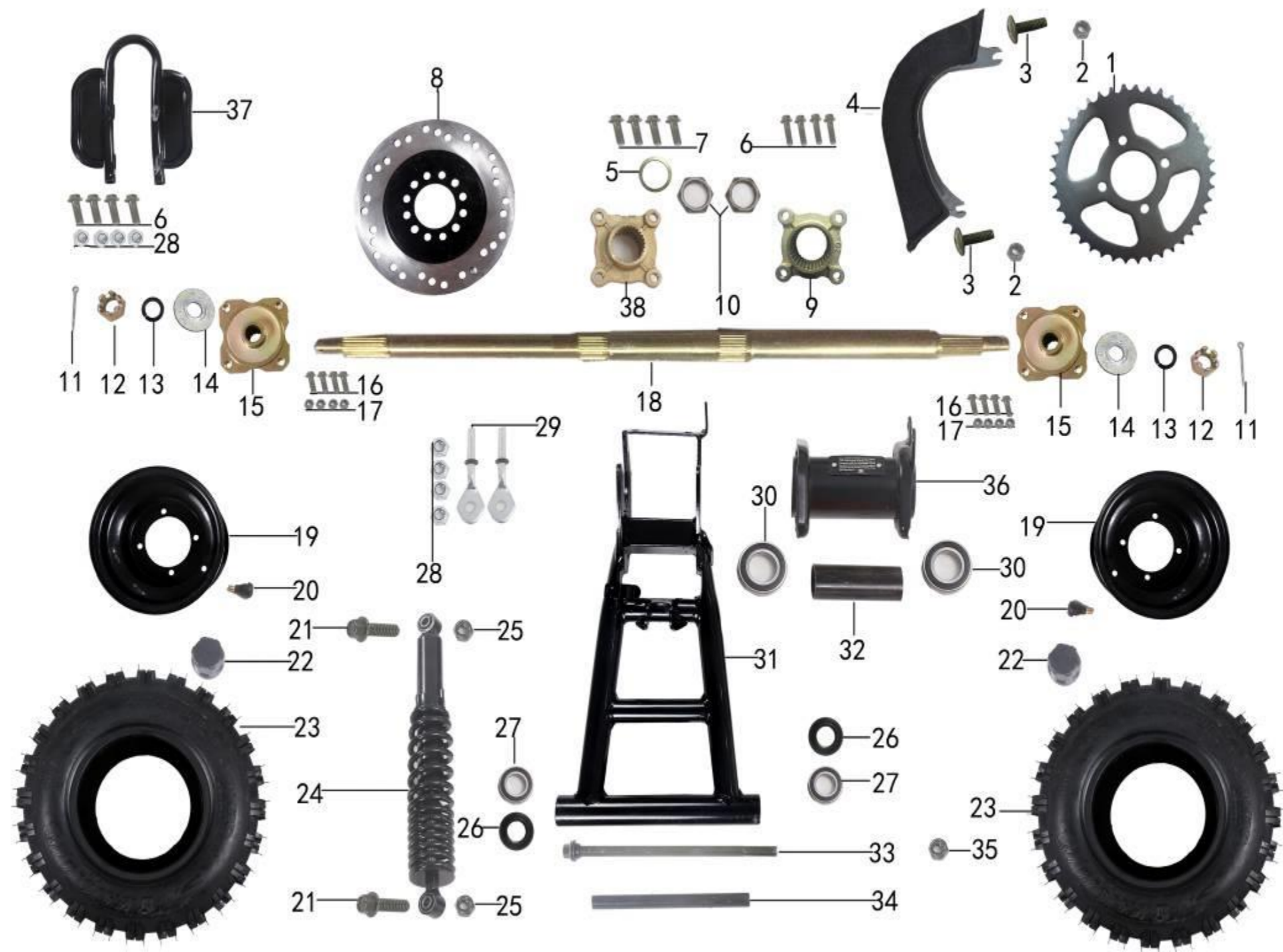


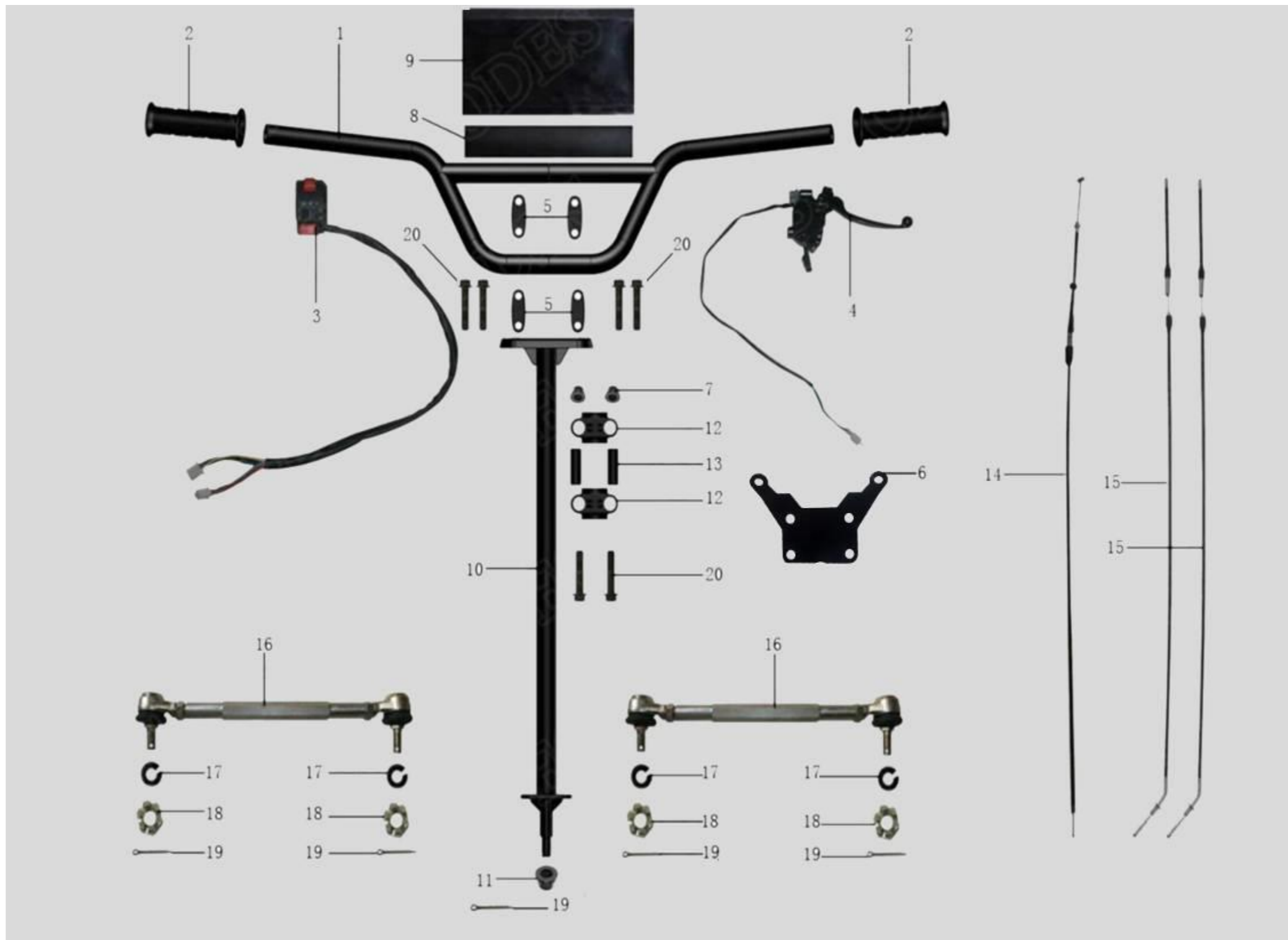


SHSCHEMATICS AND PARTS LIST



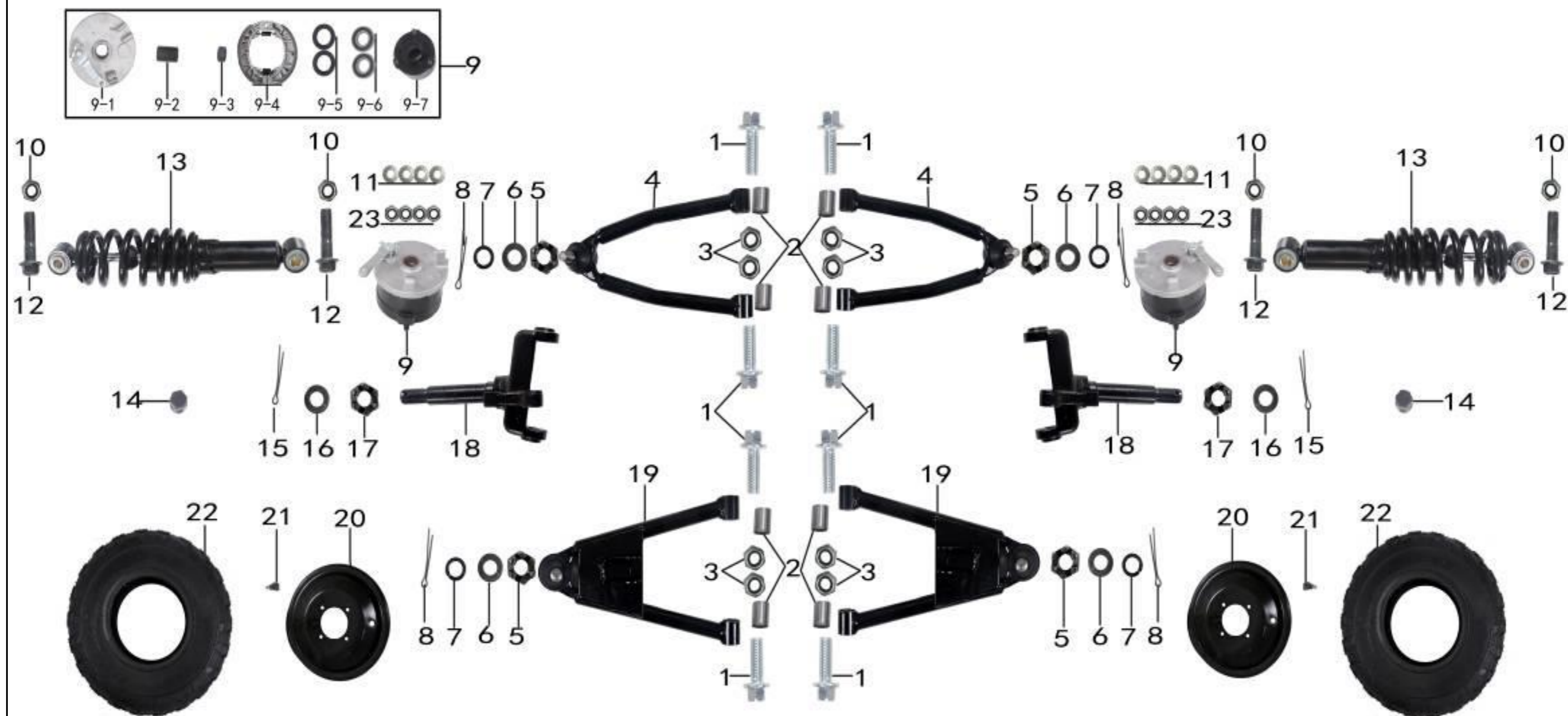
Rear suspension system

No.	English name	Specification	Qty	ERP No.	No.	English name	Specification	Qty	ERP No.
1	Rear Sprocket; 428-41	428-41齿	1	101592	25	Locknut; M10x1.25	M10x1.25	2	105254
2	Locknut	M6	2	105885	26	Bushing for Rear Swing Arm		2	109191
3	Cross Large Flat Head bolt	M6x16	2	105945	27	Ball Bearing; 6001	6001	2	102818
4	Chain Cover	外购	1	101663	28	Locknut; M8	M8	8	105277
5	Rear Axle Washer; φ27	φ27	2	600804	29	Chain Adjuster; M8x40	M8x40	2	105926
6	Hex Flange Bolt; M8x14	M8*14	4	105187	30	Ball Bearing; 6006	6006RZ	2	102817
7	Hex Flange Bolt; M8x1.25x16	M8*16	4	105195	31	ATV Swing Arm for Cheetah and more	自制	1	109826
8	Disk Brake Rotor; φ190x3.5 4 Bolts	φ190x3.5 四孔	1	600552	32	Axle Spacers	φ35*φ*31*89.5	1	600540
9	Disc/Sprocket Hub; 22 Spline	32齿	1	108291	33	Hex Flange Bolt; M12x260x1.25	M12x260x1.25	1	105080
10	Hex Nut; M27x1.5	M27x1.5	2	104862	34	Swing Arm Bushing; 16x211	φ16*211	1	602340
11	Cotter Pin; φ3x40	φ3x40	2	105340	35	Locknut; M12x1.25	M12*1.25	1	105259
12	Castle Nut; M16x1.5	M16x1.5	2	105329	36	Rear Axle Carrier for Cheetah and	自制	1	109837
13	Spring Washer	M16	2	104875	37	Rear Axle Hub Protector for	自制	1	109836
14	Flat Washer; φ45xφ16x2.5	φ16*φ45*2.5	2	105418	38	Disc/Sprocket Hub for ATA 110 B/B1 and more	28齿	1	100866
15	Rear Rim Hub fits on all 8" & 10" tire for VELOZ and more		2	100870					
16	Hex Flange Bolt; M10x1.5x25	M10*25*1.5	8	104984					
17	Locknut; M10x1.5	M10*1.5	8	105255					
18	Rear Axle for Cheetah and more		1	101304					
19	Rim- Rear; 8"	8寸	2	110116					
20	Valve Stems for All ATVs and Go Karts	通用	2	100537					
21	Hex Flange Bolt; M10x1.25x40	M10*1.25*40	2	105005					
22	Dust Cover	通用	2	108326					
23	8" Tire; 18*9.5-8	18*9.5-8	2	101286					
24	Spring Coil Suspension(Single); 280mm	280mm	1	101174					

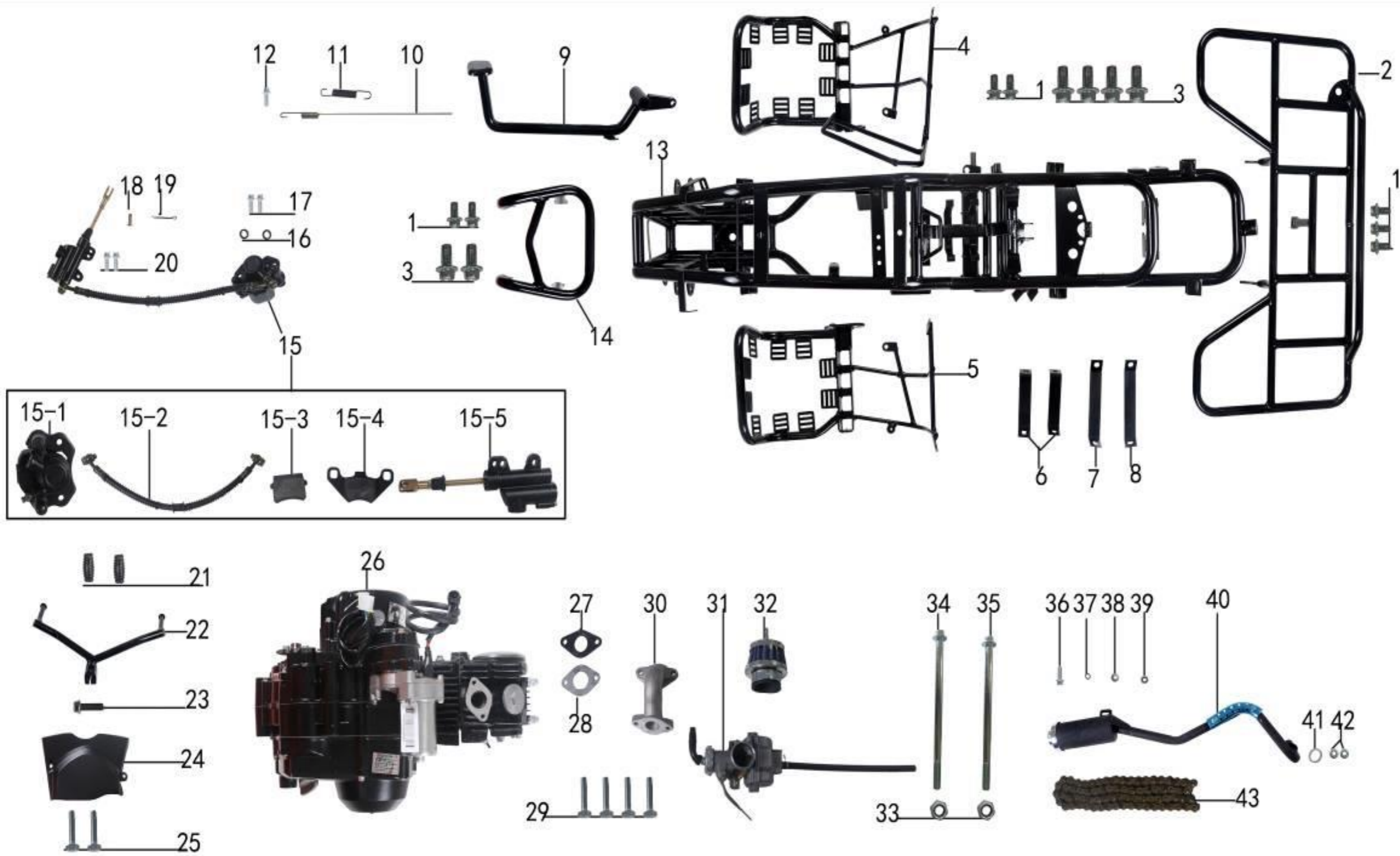


Steering system

No.	English name	Specification	Qty	ERP No.	No.	Chinese name	English name	Specification	Qty	ERP No.	Price
1	Handle Bar		1	104637							
2	Hand Grip Set	通用	2	100280							
3	Left Handle Bar Switch	三功能	1	101062							
4	Brake/Throttle Control Assemblies for All ATVs	通用	1	109414							
5	Handle Bar Clamp	通用	4	101676							
6	Gauge Mounting Bracket for ATA 135 DU and more	自制	1	110026							
7	Locknut; M8	M8*1.25	2	105277							
8	Handle Bar Sponge; $\phi 46 \times 14 \times 190$	$\phi 46 * \phi 14 * 190$	1	107266							
9	Handle Bar Sponge Cover		1	107267							
10	Steering Shaft for ATA 135 DU and more	自制	1	109766							
11	Locknut; M10x1.5	M10*1.5	1	105255							
12	Handle Bar Clamp		2	102418							
13	Throttle Cable; 650mm*84mm (25.6"*3.3")	$\phi 14 * \phi 11 * 39.5$	2	600650							
14	Front Brake Cable; 1000mmx100mm	650mm*84mm	1	102525							
15	Tie Rod Assembly; 210mm (8.268")	1000mm*100mm	2	102134							
16	Spring Washer	210mm	2	101522							
17	Castle Nut; M10x1.25	M10	4	104867							
18	Cotter Pin; $\phi 2.5 \times 30$	M10*1.25	4	600636							
19	Hex Flange Bolt; M10x1.25x50	$\phi 2.5 * 30$	5	105338							
20	Steering Shaft Spacer; $\phi 14 * \phi 11 * 42$	M8*1.25*50	6	105013							



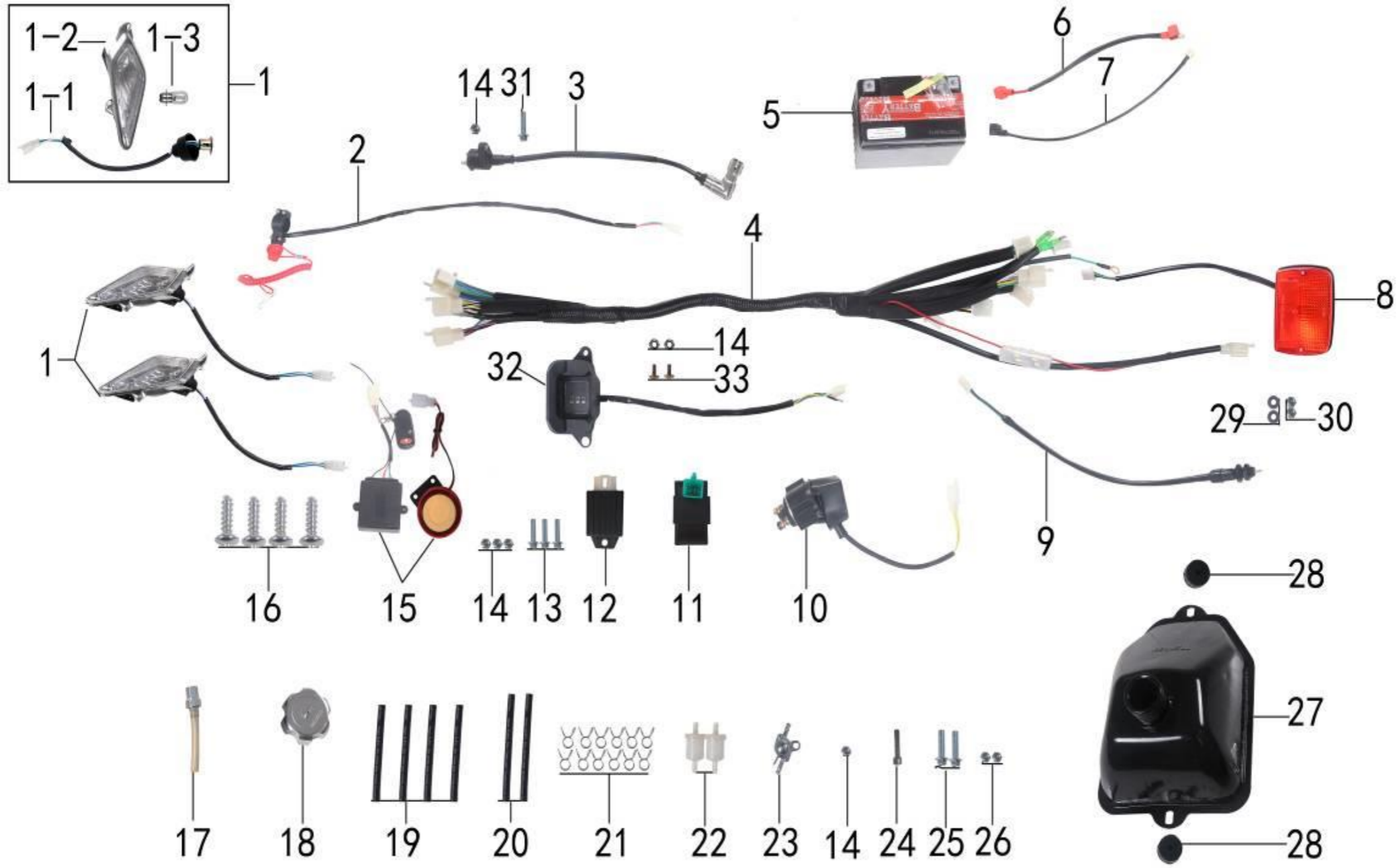
Front suspension system												
No.		English name	Specification	Qty	ERP No.		No.		English name	Specification	Qty	ERP No.
1		Hex Flange Bolt; M10×55×1.25	M10×55×1.25	8	105015		17		Castle Nut; M14×1.5	M14×1.5	2	105326
2		A-Arm Bushing; 23×10×32.5	φ24×φ10×32.5	8	101351		18		Spindle for Cheetah and more	110#	2	102889
3		Locknut; M10×1.25	M10×1.25	8	105254		19		Lower A-Arm for Cheetah and more	自制	2	110012
4		Upper A-Arm for Cheetah and more	自制	2	109971		20		Rim- Front	8寸	2	110117
5		Castle Nut; M10×1.25	M10×1.25	8	105320		21		Valve Stems for All ATVs and Go Karts	通用	2	100537
6		Flat Washer; φ20×φ10×1.5	φ20×φ10×1.5	4	105393		22		8" Tire; 19×7-8	18*9.5-8	2	101286
7		Spring washer; M10	M10	4	104868		23		Locknut; M8	M8*1.25	8	105277
8		Cotter Pin; φ2.5×30	φ2.5×30	4	105338							
9		Drum Brake Assembly - Left; 90#	90#	2	102770							
9-1		Left Drum Brake Backing Plate		1	111974							
9-2		Brake Spacer- Drum; φ22Xφ17X29	φ22Xφ17X29	1	111929							
9-3		Brake Spacer- Drum; φ22Xφ17X8.5	φ22Xφ17X8.5	1	111930							
9-4		Drum Brake Shoe		2	111975							
9-5		Oil Seal for 110cc ATV Drum Brake		2	111932							
9-6		Ball Bearing; 6003	6003	2	111933							
9-7		Drum Brake Hub		1	111976							
10		Locknut; M10×1.25	M10×1.25	4	105254							
11		Flat Washer; φ8×φ20×1.5	φ8*φ20*1.5	8	105466							
12		Hex Flange Bolt; M10×1.25×40	M10×40×1.25	4	105006							
13		Spring Coil Suspension(Single) : 325mm (12.79)	325mm	2	101937							
14		Dust Cover	通用	2	108326							
15		Cotter Pin; φ3×40	φ3×40	2	105340							
16		Flat Washer; φ14×φ40×2	φ40×φ14.2×1.8	2	105414							



Frame and Engine system

No.	English name	Specification	Qty	ERP No.	No.	English name	Specification	Qty	ERP No.
1	Hex Flange Bolt; M8x14	M8×14	7	105187	23	Hex Flange Bolt; M8x20	M8*20	1	105205
2	Off Road Vehicle Rear Rack	自制	1	109798	24	Engine Sprocket Covers	110通用	1	110975
3	Hex Flange Bolt; M10×25	M10*1.5*25	4	104985	25	Hex Nut; M8×20	M8×20	2	105712
4	FootRest Mount- Right for Cheetah	自制	1	110043	26	110cc Auto w/Reverse, Elec. Start Engine	1+1倒档	1	602106
5	FootRest Mount- Left for Cheetah	自制	1	110075	27	Intake Manifold Rubber Pad; Universal	通用	1	化油器带
6	Face Panel Connector for Cheetah and more	自制	2	109925	28	Intake Manifold Gasket		1	106945
7	Right panel stent for Cheetah and more	自制	1	109855	29	Hex Nut; M8×25	M8×25	4	进气管带
8	After the left panel bracket for Cheetah and more	自制	1	109858	30	Intake Manifold; Metal Color	通用	1	103050
9	ATV Foot Brake Pedal for Cheetah and more	自制	1	109945	31	Cable Choke Carburetor; PZ20	PZ20	1	101332
10	Brake Pedal Return Spring		1	104647	32	Cone Shape Air Filter Assembly	锥形	1	101495
11	Brake Switch Spring		1	600539	33	Locknut; M8	M8	2	105276
12	Hex Flange Bolt; M8x14	M8×14	1	105187	34	Hex Flange Bolt; M8x115	M8×115	1	104925
13	Main Frame for Cheetah	自制	1	109684	35	Hex Flange Bolt; M8x105	M8×105	1	104928
14	Front Bumper for Cheetah	自制	1	109898	36	Hex Flange Bolt; M8x1.25x16	M8×25	1	105195
15	Rear Disk Brake Assembly; 500mm×105mm	500mm*110mm	1	100742	37	Spring Washer; M8	M8	1	104883
15-1	Disk Brake Caliper		1	111934	38	Flat Washer; φ13×φ8.5×1	φ13×φ8.5×1	1	105460
15-2	Rear Disk Brake Line; 500mm (19.69")	500mm	1	111987	39	Locknut; M8	M8	2	105276
15-3	Disk Brake Pad		1	111935	40	Muffler Assembly	外购	1	101753
15-4	Rear Disk Brake Pad		1	111936	41	Muffler Gasket; OD: 31.5mm ID:		1	102419
15-5	Foot Brake Master Cylinder; 110mm	110mm	1	111937	42	Locknut; M6	M6	2	600724
16	Brake Disk Spacer; φ16×φ11×5.5	φ16*φ11*5.5	2	600646	43	#428 Drive Chain; 96 Links	428# 96节	1	101639
17	Hex Flange Bolt; M8x14	M8×14	2	105187					

18		Cylindrical Dowel Pin	$\phi 6 \times 18$	1	600651								
19		Cotter Pin; $\phi 2.5 \times 30$	$\phi 2.5 \times 30$	1	105338								
20		Hex Flange Bolt; M6x16	M6x20	2	105140								
21		Foot shift stem sheath		2	600802								
22		Gear Peg for Cheetah and more	自制	1	109672								



Electric and oil supply system												
No.		English name	Specification	Qty	ERP No.	No.		English name	Specification	Qty	ERP No.	
1		Left Headlight Assembly		2	106403	22		Fuel Filter Universal	通用	2	600801	
1-1		Headlight Wireharness		1	111990	23		Fuel Valve / Petcock/Fuel Pump	通用	1	102241	
1-2		Left Headlight Housing		1	111989	24		Column Hex Socket Bolt; M6x16	M6*16	1	105798	
1-3		Head Light Bulb		1	111988	25		Hex Flange Bolt; M8x1.25x30	M8x30	2	105218	
2		Tether Switches		1	109334	26		Locknut; M8	M8	2	105276	
3		Ignition Coil		1	101008	27		Fuel Tank-ATV; Φ50	50螺纹口	1	102297	
4		Wire Harness	自制	1	102868	28		Fuel Tank Panel Washer		2	600710	
5		12V Battery for ATVs; 12V 5Ah	12V5Ah	1	103277	29		Flat Washer; φ16×φ6.3×1.5	φ16×φ6.3×1.5	2	101701	
6		Battery Anode Wire	自制	1	主电缆带	30		Locknut; M6	M6	2	105273	
7		Cathode Wire	自制	1	主电缆带	31		Hex Flange Bolt; M6x20	M6x20	1	105141	
8		Tail Lights Assembly		1	100263	32		Gear Indicator		1	102765	
9		Brake Switch Universal	通用	1	102128	33		Cross Large Flat Head bolt; M6x16	M6x16	2	105536	
10		Starter Relay / Solenoid for All ATVs	50CC	1	101384							
11		CDI; 5 Pin	50CC	1	100667							
12		Regulator	50CC	1	100730							
13		Hex Flange Bolt; M6x16	M6x16	3	105136							
14		Locknut; M6	M6	6	105273							
15		Remote Control / Alarm	带喇叭	1	100394							
16		Pen Head Self-tapping Screw; S4.2x12	S4.2x12	4	104826							
17		Fuel Tank Cap Vent Tube	通用	1	600566							
18		Fuel Tank Cap	通用	1	101678							
19		Fuel Line; φ4.5×φ8.5×100	φ4.5*φ8.5*100	4	100269							
20		Fuel Line; φ4.5×φ8.5×200	φ4.5*φ8.5*200	2	100271							
21		Tube Fasten Clip; Φ8	Φ8	12	101449							



Plastic cover										
No.		English name	Specification	Qty	ERP No.		No.			
1		HeadLight Trim for Cheetah and more	PP	1	106263		1			
2		Face Panel for Cheetah and more	PP	1	106117		2			
3		Plastic Front Body- Original Color; Black for Cheetah	本色	1	106255		3			
4		Front Fender- Right for Cheetah and more	PP	1	106283		4			
5		Ignition Key Switch For 110cc ATV; 4 Wire Male Plug		1	100698		5			
6		Central Side Panel - Right; Black for Cheetah	本色	1	106391		6			
7		Seat - ATV	外购	1	108360		7			
8		Footrest for Cheetah and more	PP	2	106476		8			
9		Rear Body-Original Color; Black for Cheetah	本色	1	106121					
10		Rear Fender- Left for Cheetah and more	PP	1	106153					
11		Rear Fender- Right for Cheetah and more	PP	1	106160					
12		Central Side Panel - Left; Black for Cheetah	本色	1	106458					
13		Front Fender- Left for Cheetah and more	PP	1	106292					
14		Pen Head Self-tapping Screw; S4.2x12	S4.2x12	6	104826					
15		Hex Flange Bolt; M8x16	M8x14	4	105950					
16		Cross Large Flat Head bolt; M6x16	M6x16	25	105536					
17		Locknut; M6	M6	28	105272					
18		Cross Large Flat Head bolt; M6x20	M6x20	8	105536					

19		Retaining Nut	M6	5	104920	
20		Locknut	M6	2	105885	
21		Flat Washer; φ16×φ6.3×1.5	φ16×φ6.3×1.5	25	101701	
22		Rubber Washer; φ16×φ6.3×2	φ16×φ6.3×2	25	600581	